

BRL-K610/04
01-02-2012

Evaluation guideline

for the Kiwa product certificate for
Thermostatic Mixing Valves



Preface

This evaluation guideline has been accepted by the board of experts CWK of Kiwa, in which the parties concerned in the sector Drinkingwater appliances are being represented. This Board of Experts also supervises the certification activities and where necessary requires the evaluation guideline to be revised. All references to Board of Experts in this evaluation guideline pertain to the above mentioned Board of Experts.

This evaluation guideline will be used by Kiwa in conjunction with the Kiwa-Regulations for Product Certification. This regulation details the method employed by Kiwa for conducting the necessary investigations prior to issuing the product certificate and the method of external control.

This evaluation guideline is to be assessed by the Board of Experts at least every 5 years, but at the latests before 1 February 2017.

Kiwa N.V.
Sir W. Churchill-laan 273
PO Box 70
2280 AB RIJSWIJK
the Netherlands

Tel. +31.70 414 44 00
Fax +31.70 414 44 20
www.1kiwa.com

© 2012 Kiwa Nederland B.V.

All rights reserved. No part of this book may be reproduced, stored in a database or retrieval system, or published, in any form or in any way, electronically, mechanically, by print, photoprint, microfilm or any other means without prior written permission from the publisher.

The use of this evaluation guideline by third parties, for any purpose whatsoever, is only allowed after a written agreement is made with Kiwa to this end.

Validation

This evaluation guideline has been validated by Kiwa on 1 February 2012.

Contents

1	Introduction	1
1.1	General	1
1.2	Field of application / scope	1
1.3	Acceptance of test reports provided by the supplier	1
1.4	Quality declaration	2
2	Terms and definitions	3
3	Procedure for granting the quality declaration	4
3.1	Pre certification tests	4
3.2	Granting the quality declaration	4
4	Requirements and test methods	5
4.1	General	5
4.2	Sanitary thermostatic mixing valves	5
4.3	Thermostatic safety mixing valves	7
5	Marking	9
5.1	General	9
5.2	Certification mark	9
5.3	Low water consumption indication and marking	9
6	Test methods	10
6.1	Determination of the adherence and the durability of plastic coatings	10
6.2	Determination durability temperature control	10
7	Requirements in respect of the quality system	12
7.1	Manager of the quality system	12
7.2	Internal quality control/quality plan	12
7.3	Procedures and working instructions	12
8	Summary of tests and inspections	13
8.1	Test matrix	13
8.2	Inspection of the quality system	13
9	Agreements on the implementation of certification	14
9.1	General	14
9.2	Certification staff	14
9.3	Report Pre certification tests	15
9.4	Decision for granting the certificate	15
9.5	Lay out of quality declaration	15
9.6	Nature and frequency of external inspections	15

Contents

9.7	Interpretation of requirements	15
10	Titles of standards	16
I	Model certificate	17
II	Model IQC-scheme	18

1 Introduction

1.1 General

This evaluation guideline includes all relevant requirements which are adhered to by Kiwa as the basis for the issue and maintenance of a certificate for thermostatic mixing valves

This Evaluation Guideline replaces Evaluation Guideline BRL-K610/03 "Sanitary tapware - thermostatic mixing valves", dated 16 August 2002.

For the performance of its certification work, Kiwa is bound to the requirements as included in the clause 4.6 "conditions and procedures for granting, maintaining, extending, suspending and withdrawing certification" of EN45011.

1.2 Field of application / scope

Thermostatic mixing valves are intended for application in tap water installations with a static water pressure of maximum 1000 kPa and a maximum water temperature of 90°C.

The thermostatic mixing valves can be distinguished in:

- sanitary thermostatic mixing valves for domestic use;
- safety valves to be used in (health-) care premises.

Sanitary thermostatic mixing valves for domestic use can be divided in the following types:

- bath/shower mixing valve;
- shower mixing valve;
- wash basin mixing valve;
- bidet mixing valve;
- sink mixing valve;
- centrally located thermostatic mixing units (central thermostatic mixers).

The recommended limits for correct operation of sanitary thermostatic mixing valves are a dynamic pressure between 100 kPa and 500 kPa and a maximum water temperature of 65°C.

Thermostatic safety mixing valves to be used in (health-) care premises use can be divided in the following types:

- wash basin mixing valve;
- bidet mixing valve;
- shower mixing valve;
- bath mixing valve.

The recommended limits for correct operation of thermostatic safety valves are a dynamic pressure between 20 kPa and 100 kPa, respectively 100 and 500 kPa, and a maximum water temperature of 65°C.

1.3 Acceptance of test reports provided by the supplier

When by the manufacturer reports from test Institutions or laboratories are produced in order to demonstrate that the product meets the requirements of this evaluation guideline, the institute or laboratory shall meet one of the applicable accreditation norms, being;

- NEN-EN-ISO/IEC 17025 for laboratories;
- NEN-EN-ISO/IEC 17020 for inspection bodies;
- NEN-EN 45011 for certification bodies certifying products;

This requirement is being considered to be fulfilled when a certificate of accreditation can be shown, either issued by the Board of Accreditation (RvA) or one of the institutions with which the RvA an agreement of mutual acceptance has been concluded.

The accreditation shall refer to the examination as required in this BRL. When no certificate of accreditation can be shown, Kiwa will verify whether the accreditation norm is fulfilled.

1.4 Quality declaration

The quality declarations to be issued by Kiwa are described as Kiwa product certificate. A model of the certificate to be issued on the basis of this Evaluation Guideline has been included as an Annex.

2 Terms and definitions

In this evaluation guideline the following terms and definitions are applicable:

Evaluation Guideline: the agreements made within the Board of Experts on the subject of certification.

Board of Experts: The Board of Experts "CWK".

Supplier: the party that is responsible for ensuring that the products meet and continue to meet the requirements on which the certification is based.

IQC scheme: a description of the quality inspections carried out by the supplier as part of his quality system.

Product requirements: requirements made specific by means of measures or figures, focusing on (identifiable) characteristics of products and containing a limiting value to be achieved, which limiting value can be calculated or measured in an unequivocal manner.

Pre-certification tests: tests in order to ascertain that all the requirements recorded in the Evaluation Guideline are met.

Inspection tests: tests carried out after the certificate has been granted in order to ascertain whether the certified products continue to meet the requirements recorded in the Evaluation Guideline.

Remark

The test matrix contains a summary showing what tests Kiwa will carry out in the pre-certification stage and in the event of inspections as well as showing the frequency with which the inspection tests will be carried out.

Product certificate: a document, in which Kiwa declares that a product may, on delivery, be deemed to comply with the product specification recorded in the product certificate.

Tap water (origin Drinking Water Directive): water intended for drinking, cooking, food preparation or other domestic purposes.

Remark

- tap water can be drinkingwater or heated drinking water.
- the definition for tap water deflects from that of the Waterleidingwet (Drinking Water Directive).

Pressure: the effective pressure (P_e). The difference between the absolute pressure (P) and the surrounding pressure (P_{amb}). Expressed as a formula: $P_e = P - P_{amb}$

Working pressure: the highest pressure occurring in the drinking water appliance or in the parts of it, under normal circumstances.

Sanitary thermostatic mixing valve for domestic use: a valve, with one or more outlets, which mixes hot and cold water and automatically controls the mixed water to a user selected temperature.

Thermostatic safety mixing valves: as a sanitary thermostatic mixing valve for domestic use, but with a mixed water temperature not exceeding a pre set maximum temperature.

3 Procedure for granting the quality declaration

3.1 Pre certification tests

The pre certification-tests to be performed are based on the (product) requirements as included in this evaluation guideline including the test methods and contain, depending on the nature of the product to be certified:

- type testing to determine whether the products comply with the product and/or functional requirements,
- Production Process Assessment
- Assessment of the quality system and the IQC-scheme,
- Assessment on the presence and functioning of the remaining procedure

3.2 Granting the quality declaration

After finishing the pre-certification tests the results are presented to the person deciding on granting of certificate. This person evaluates the results and decides whether the certificate can be granted or additional data and/or tests are necessary.

4 Requirements and test methods

4.1 General

This chapter contains the requirements the thermostatic mixing valves have to comply with. These requirements will make part of the technical specification of the products, as included in the certificate.

4.2 Sanitary thermostatic mixing valves

4.2.1 Product requirements and test methods

The requirements the product shall meet and the respective test methods have been laid down in the following standard:

EN 1111 Sanitary tapware - Thermostatic mixing valves (PN 10) - General technical specifications.

4.2.2 Further specifications material

In view of what has been mentioned in the introduction of the EN 1111 the following requirements are valid for the materials to be used.

4.2.2.1 Requirements to avoid deterioration of the quality of the drinking water

Products and materials, which (may) come into contact with drinking water or warm tap water, shall not release substances in quantities which can be harmful to the health of the consumer or negatively affect the quality of the drinking water. Therefore, the products or materials shall meet the toxicological, microbiological and organoleptic requirements as laid down in the valid "Ministerial Regulation materials and chemicals drinking water and warm tap water supply" (published in the Government Gazette). Consequently the procedure for obtaining a recognised quality declaration, as specified in the valid Regulation, has to be concluded with positive results.

Products and materials with a quality declaration*, e.g. issued by a foreign certification institute, are allowed to be used in the Netherlands, provided that the Minister has declared this quality declaration equivalent to the quality declaration as meant in the Regulation.

4.2.2.2 Chemical and mechanical requirements

a. Rubber

Rubber shall comply with the requirements of BRL-K2013 in respect of the influence on drinking water and the physical and mechanical aspects¹.

For sealing elements such discs, made of rubber, the BRL-K2013 does not apply.

Natural rubber (NR) and isoprene rubber (IR) is not allowed.

b. Zinc-aluminium alloys

Zinc-aluminium alloys are only to be used for controls and are to be coated with an anticorrosive protection layer.

c. Plastic coatings

The thickness of the layer must be at least 25 µm. After a test according to 6.1 the coating shall meet;

* A quality declaration issued by an independent certification institute in another member state of the European Community than the Netherlands or another state party to the agreement to the European Economic Area, is equivalent to a recognised quality declaration, to the extent that, to the judgment of the Minister of the first mentioned quality declaration, is fulfilled the at least equivalent requirements as meant in the Regulation materials and chemicals drinking water- and warm tap water supply.

¹ The rubber is considered to comply with the mechanical requirements of BRL-K2013 if the functional examinations as included in this evaluation guideline have been finished with positive results.

- EN 248, article 7.1.1. in relation to the corrosion resistance;
- NEN 5337-6.2 for the adhesion.

d. Metallic protection layers

Metallic anticorrosive protection layers shall fulfil the requirements of EN 248.

4.2.3 Other specifications

In addition to what has been mentioned in the EN 1111 the following is applicable.

4.2.3.1 Dimensions (ad EN 1111 - clause 8)

In addition to the dimensions as indicated in EN 1111, the dimensions for wall hung mixers 120 mm and shower mixers, block model, according **Error! Reference source not found.** and **Error! Reference source not found.** are also allowed.

4.2.3.2 Flexible connecting hoses (ad EN 1111 - art. 8.2.1.3)

Flexible connecting hoses shall comply with Kiwa evaluation guideline BRL-K622 "Flexible connecting hoses", with the exception of the requirements for dimensions and connecting ends.

Threaded connecting ends to the mixer body shall be conform international standards.

4.2.3.3 Aerators and flow rate regulators (ad EN 1111 - art. 8.4.1)

Aerators and flow rate regulators shall comply with the Kiwa evaluation guideline BRL-K617 "Aerators".

4.2.3.4 Cross flow between hot- and cold water (ad EN 1111 - art. 9.4)

Check valves to be used in order to prevent cross flow shall comply with the requirements in respect to watertightness and endurance as stated in the evaluation guideline BRL-K654.

4.2.3.5 Stability of the mixed water temperature

a. With changing inlet pressure (ad EN 1111 - art. 10.8)

Testing the thermostatic mixing valve according to EN 1111 - article 10.8, the inlet pressures shall be changed within a length of time of 0,5 seconds. At the same time the mixed water temperature shall comply with the requirement of having a deviation of the mixed water temperature to the set value of less then 2°C within 1 second.

In addition to EN 1111 - article 10.8 and above mentioned the test shall be repeated with the pressure reduced from 200 kPa to 150 kPa and, after stabilisation, to be restored to 200 kPa.

b. With changing inlet temperature (ad EN 1111 - art. 10.9)

Testing the thermostatic mixing valve according to EN 1111 - article 10.9, the changes of the inlet temperature shall take place within a length of time of 0,5 seconds. The mixed water temperature shall never deviate more then 2 °C to the set value for a period longer then 1 second¹.

4.2.3.6 Endurance test operating mechanism (ad EN 1111 - art. 12.1)

When the durability of the operating mechanism (headpart and handle) is determined in accordance with the EN 200, another 25 000 cycles shall be carried out according to the procedure but with a water temperature of 65 ± 2 °C.

During and after the test the handle and its fastening may not show any fracture or deformation. Also the thermostatic mixing valve shall comply with the requirements for closure and watertightness as embodied in EN 1111, article 9.3, 9.4. and 9.5.

¹ Due to water already present in the hot water supply of the test apparatus, the period to be measured in which the temperature of the hot water is changing can be longer then 0,5 second.

4.2.3.7 *Endurance test temperature control*

In order to verify the endurance of the temperature control of a thermostatic mixing valve a test in accordance with article 6.2 shall be carried out.

During and after the test the thermostatic mixing valve shall comply with the requirements for closure and watertightness as embodied in EN 1111, article 9.3, 9.4, 9.5 and 10.7, as well as the requirements for the temperature stability as stated in article 4.2.3.5.

4.2.3.8 *Central thermostatic mixers*

a. Dimensions

The dimensions of central thermostatic mixers are free, with the exception of the connection ends.

The connection ends shall be furnished with thread G $\frac{1}{2}$ B or G $\frac{3}{4}$ B, according to ISO 228-1.

b. Flow rate

The flow rate to be measured in accordance with EN 1111 article 10.5, shall be at least 0,33 l/s (20 l/min).

c. Temperature limitation

Thermostatic mixing valves shall be capable of delivering water with a temperature higher than 60°C¹.

4.3 Thermostatic safety mixing valves

4.3.1 *Product requirements and test methods*

The requirements the thermostatic safety mixing valves shall meet and the respective test methods have been laid down in the following standard:

National Health Service Model engineering specifications D 08 "Thermostatic mixing valves (Healthcare premises)".

4.3.2 *Further specifications material*

In view of what has been mentioned in the NHS D08, also the following requirements are applicable for the materials to be used.

4.3.2.1 *Requirements to avoid deterioration of the quality of the drinking water*

Products and materials, which (may) come into contact with drinking water or warm tap water, shall not release substances in quantities which can be harmful to the health of the consumer or negatively affect the quality of the drinking water. Therefore, the products or materials shall meet the toxicological, microbiological and organoleptic requirements as laid down in the valid "Ministerial Regulation materials and chemicals drinking water and warm tap water supply" (published in the Government Gazette). Consequently the procedure for obtaining a recognised quality declaration, as specified in the valid Regulation, has to be concluded with positive results.

Products and materials with a quality declaration*, e.g. issued by a foreign certification institute, are allowed to be used in the Netherlands, provided that the Minister has declared this quality declaration equivalent to the quality declaration as meant in the Regulation.

¹ In practice appeared that it gave thermostatic mixing valves with a limitation of the mixing water temperature. When the maximum water temperature is less than 60°C problems may occur in case of measurements to be taken in relation to the prevention of legionnaires disease.

* A quality declaration issued by an independent certification institute in another member state of the European Community than the Netherlands or another state party to the agreement to the European Economic Area, is equivalent to a recognised quality declaration, to the extent that, to the judgment of the Minister of the first mentioned quality declaration, is fulfilled the at least equivalent requirements as meant in the Regulation materials and chemicals drinking water- and warm tap water supply.

4.3.3 Further specifications

4.3.3.1 Flexible connecting hoses

Flexible connecting hoses shall comply with Kiwa evaluation guideline BRL-K622 “Flexible connecting hoses”, with the exception of the requirements for dimensions and connecting ends. Threaded connecting ends to the mixer body shall conform international standards.

4.3.3.2 Aerators and flow rate regulators

Aerators and flow rate regulators shall comply with the Kiwa evaluation guideline BRL-K617 “Aerators”.

4.3.3.3 Cross flow between hot and cold water (ad NHS D08 – art. 5.5)

Non return valves used in order to comply with this requirement shall meet the requirements of the Kiwa evaluation guideline BRL-K654 in respect to watertightness and durability.


5 Marking

5.1 General

The products have to be marked with following indelible marks and indications:

- name or logo of the manufacturer,
- hydraulic class,
- acoustic group, if applicable

5.2 Certification mark

After concluding a Kiwa certification agreement, the certified products shall be indelible marked with the certification mark **KIWA** .

The packaging may be provided with the following mark



5.3 Low water consumption indication and marking

The following thermostatic mixers may, in relation with this Guideline, be indicated with "Low water consumption";

- a. mixers (with exception of shower- and bath mixers) furnished with a class Z aerator;
- b. mixers provided with an operating mechanism with flow rate limitation that requires a special action to be abolished. The flow rate in the "water saving position" shall, measured according to EN 1111, article 10.5, be between 7.2 l/min (0.12 l/s) and 9 l/min (0.15 l/s)

The indication "Low water consumption" may be applied to the package.



6 Test methods

6.1 Determination of the adherence and the durability of plastic coatings

6.1.1 Test installation and appliances

For the determination of the adherence and the durability of the plastic coating, first the test pieces have to be conditioned in a bath of which the water is automatically maintained at the temperature required.

The appliances used for the determination of the adherence are to be according to NEN 5337-4.

6.1.2 Test piece

At least two mixer bodies or two control elements, but the number of test pieces must be such that the surface to be tested is at least 10 000 mm².

6.1.3 Test requirements

During the conditioning of the test pieces:

- the water in the bath shall be 90 ± 3 °C;
- the ambient temperature shall be 20 ± 10 °C.

6.1.4 Procedure

- Put the test pieces in the water bath for 1 hour.
- Cool the test pieces down to ambient temperature;
- Determine the adherence of one test piece according to NEN 5337-6.2;
- Of the remaining test pieces it is to be determined whether they comply with EN 248.

6.2 Determination durability temperature control

6.2.1 Test installation

For the determination of the durability of the temperature control the thermostatic mixing valve shall be connected to an installation in accordance with Figure 1.

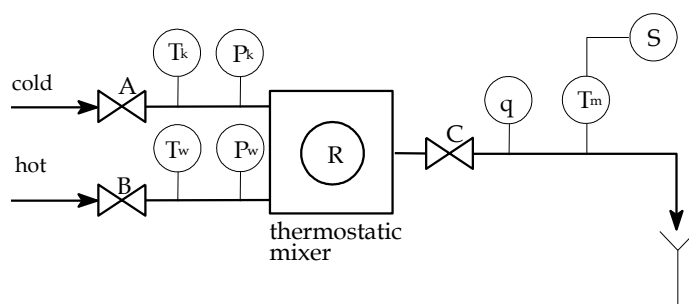


Figure 1

Explanation of symbols

- A = stop valve cold water
- B = stop valve hot water
- C = control valve
- R = temperature control handle
- S = writer
- Tk = temperature cold water
- Tw = temperature hot water
- Tm = temperature mixing water
- pk = cold water pressure
- pw = hot water pressure

q = flow rate mixing water

6.2.2 *Test requirements*

During the examination the temperature of the cold water shall be 15 ± 5 °C and hot water shall have a temperature of 90 ± 3 °C.

6.2.3 *Test piece*

The determination of the durability of the temperature control is carried out with a new thermostatic mixing valve.

6.2.4 *Procedure*

- a. Install the thermostatic mixing valve in a test installation according to figure 1;
- b. Set the mixing water temperature on 40 °C at a pressure of 100 ± 10 kPa at both the cold and hot water supply and with the operating mechanism fully open;
- c. Increase the pressure at the hot water supply up to 200 kPa and maintain this pressure during the test;
- d. Set on the cold water supply pressures which change every 30 seconds within 0.5 ± 1 second from:
 - 100 kPa to 200 kPa;
 - 200 kPa to 300 kPa;
 - 300 kPa to 200 kPa;
 - 200 kPa to 100 kPa.
- e. Perform the under d. mentioned cycle for 20 000 times. Record after 10 000 cycles the temperature of the mixing water for each cold water pressure.

7 Requirements in respect of the quality system

This chapter contains the requirements which have to be met by the supplier's quality system.

7.1 Manager of the quality system

Within the supplier's organizational structure an employee must have been appointed who is in charge of managing the supplier's quality system.

7.2 Internal quality control/quality plan

The supplier shall have an internal quality control scheme (IQC scheme) which is applied by him.

The following must have been demonstrably recorded in this IQC scheme:

- what aspects are checked by the producer;
- according to what methods such inspections are carried out;
- how often these inspections are carried out;
- in what way the inspection results are recorded and kept.

This IQC scheme should at least be an equivalent derivative of the model IQC scheme included in the addendum.

7.3 Procedures and working instructions

The supplier shall be able to submit the following:

- procedures for:
 - dealing with products showing deviations;
 - corrective actions to be taken if non-conformities are found;
 - dealing with complaints about products and/or services delivered;
- the working instructions and inspection forms used.

8 Summary of tests and inspections

This chapter contains a summary of the following tests and inspections to be carried out in the event of certification:

- Pre-certification tests;
- Inspection test as to toxicological requirements and product requirements;
- Inspection of the quality system.

The frequency with which Kiwa will carry out inspection tests is also stated in the summary.

8.1 Test matrix

Description of requirement	Article BRL	Tests within the scope of		
		Pre-certification	Supervision by Kiwa after granting of certificate ¹⁾ inspection ²⁾	frequency (no./year)
Material				
Requirements to avoid deterioration of the quality of the drinking water	4.2.2.1/ 4.3.2.1	X	X	2
Chemical and mechanical requirements	4.2.2.2	X	X	2
Functional requirements				
Sanitary thermostatic mixing valves	4.2.1			
• dimensions		X		
• watertightness		X	X	2
• flow rate		X	X	1/3 year
• sensitivity		X	X	1/3 year
• safety		X	X	1/3 year
• temperature regulation		X	X	1/3 year
• closure		X	X	1
• durability		X		
• resistance against forces		X	X	1
• acoustics		X		
Thermostatic safety mixing valves	4.3	X	X	1/3 year
Certificationmark	5.2	X	X	2

¹⁾ In case of significant changes of the product or production process, compliance of the product to the performance requirements shall be determined

²⁾ Inspections as indicated are to be conducted by the inspector or by the manufacturer, whether or not in presence of the inspector.

8.2 Inspection of the quality system

The quality system will be checked by Kiwa on the basis of the IQC scheme.

The inspection contains at least those aspects mentioned in the Kiwa Regulations for Product certification.

9 Agreements on the implementation of certification

9.1 General

Beside the requirements included in these evaluation guidelines, also the general rules for certification as included in the Kiwa Regulations for Product Certification apply.

These rules are in particular

- The general rules for conducting the pre-certification tests, to be distinguished in:
 - the way suppliers are to be informed about an application is being handled,
 - how the test are conducted,
 - the decision to be taken as a result of the pre certification tests.
- The general directions for conducting inspections and the aspects to be audited,
- The measurements to be taken by Kiwa in case of Non Conformities,
- Measurements taken by Kiwa in case of improper Use of Certificates, Certification Marks, Pictograms and Logos,
- Terms for termination of the certificate,
- The possibility to lodge an appeal against decisions of measurements taken by Kiwa.

9.2 Certification staff

The staff involved in the certification may be sub-divided into:

- certification experts: they are in charge of carrying out the pre-certification tests and assessing the inspectors' reports;
- inspectors: they are in charge of carrying out external inspections at the supplier's works;
- decision-makers: they are in charge of taking decisions in connection with the pre-certification tests carried out, continuing the certification in connection with the inspections carried out and taking decisions on the need to take corrective actions.

9.2.1 Qualification requirements

The following qualification requirements have been set by the Board of Experts for the subject matter of this Evaluation Guideline:

EN45011	Certification Expert	Inspector	Decision maker
Education - general	<ul style="list-style-type: none"> • Technical higher-level professional education • Internal training certification and Kiwa policy • Training auditing 	<ul style="list-style-type: none"> • Intermediate-level professional education • Internal training certification and Kiwa policy • Training auditing 	<ul style="list-style-type: none"> • Higher level professional education • Internal training certification and Kiwa policy • Training auditing
Education - specific	<ul style="list-style-type: none"> • for BRL relevant technical education • specific studies and training (know-how and skills) 	<ul style="list-style-type: none"> • for BRL relevant technical education • specific studies and training (know-how and skills) 	<ul style="list-style-type: none"> • not applicable unless specific requirements have been specified by the BoE
Experience - general	<ul style="list-style-type: none"> • 1 year of relevant work experience with at least 4 pre certification tests of which one carried out independent under supervision. 	<ul style="list-style-type: none"> • 1 year of relevant work experience with at least 4 inspections of which one carried out independent under supervision 	<ul style="list-style-type: none"> • 4 year of relevant work experience with at least 1 year in certification

EN45011	Certification Expert	Inspector	Decision maker
Experience - specific	<ul style="list-style-type: none"> Detailed knowledge of the BRL and 4 certification tests carried out on the basis of the BRL or one related. 	<ul style="list-style-type: none"> Detailed knowledge of the BRL and 4 inspections carried out on the basis of the BRL or one related. 	<ul style="list-style-type: none"> general knowledge of the BRL

The level of education and the experience of the certification staff involved should be demonstrably recorded.

9.2.2 Qualification

The qualification of the Certification staff shall be demonstrated by means of assessing the education and experience to the requirements mentioned before. In case staff is to be qualified on the basis of deflecting criteria, written records shall be kept.

The authority to qualify staff is dedicated to:

- decision makers: qualification of certification experts and inspectors,
- Management of Kiwa: qualification of decision makers.

9.3 Report Pre certification tests

Kiwa records the results of the pre certification tests in a report. This report shall comply with the following requirements:

- completeness: the reports verdicts about all requirements included in the evaluation guideline,
- traceability: the findings on which the verdicts have been based shall be recorded traceable,
- basis for decision: the decision maker shall be able to base his decision on the findings included in the report.

9.4 Decision for granting the certificate

The decision for granting the certificate shall be made by a qualified decision maker which has not been involved in the pre certification tests. The decision shall be recorded traceable.

9.5 Lay out of quality declaration

The product certificate shall conform the model included as an annex

9.6 Nature and frequency of external inspections

The certification body shall carry out Audits at the supplier at regular intervals to check whether the supplier complies with his obligations. About the frequency of inspections the Board of Experts decides. At the time this Evaluation Guideline took effect, the frequency was set at number of 2 inspection visits per year.

Inspections shall at least refer to:

- The suppliers IQC-scheme and the results obtained from inspections carried out by the supplier,
- The correct way of marking of certified products
- Complying with required procedures.

The results of each inspection shall be traceable recorded in a report.



9.7 Interpretation of requirements

The Board of Experts may record the interpretation of requirements of these evaluation guidelines in one separate interpretation document.

10 Titles of standards

Number	Title
BRL-K617	Aerators
BRL-K622	Flexible connecting hoses
DIN 7737	Schichtpressstof – Erzeugnisse; Vulkanfiber; Typen
EN 248	Sanitary tapware. General technical specifications for electrodeposited nickel chrome coatings
EN 1111	Sanitary tapware - Thermostatic mixing valves (PN 10) - General technical specifications
NHS D08	Thermostatic mixing valves (Healthcare premises)

I Model certificate

Certificate	Product certificate KXXXXXXX/OX	 Partner for progress
	Issued	
	Replaces	
	Page	1 of 2
<h2>Thermostatic Mixing Valves</h2>		
STATEMENT BY KIWA		
With this product certificate, issued in accordance with the Kiwa Regulations for Product Certification, Kiwa declares that legitimate confidence exists that the products supplied by		
Name supplier		
complying with the technical specifications as laid down in this product certificate and marked with the Kiwa®-mark in the manner as indicated in this product certificate, on delivery, may be relied upon to comply with Kiwa evaluation guideline BRL-K610/04 "Thermostatic Mixing Valves", dated 2012-02-01.		
		
Bouke Meekma Kiwa		
Publication of the certificate is allowed.		
Advice: consult www.kiwa.nl in order to ensure that this certificate is still valid.		
Kiwa Nederland B.V. Sir W. Churchill-laan 273 Postbus 70 2280 AB RIJSWIJK The Netherlands Tel. +31 70 414 44 00 Fax +31 70 414 44 20 E-mail info@kiwa.nl www.kiwa.nl	Supplier	Certification process consists of initial and regular inspection of: <ul style="list-style-type: none">• quality system• product

II Model IQC-scheme

Subjects	Aspects	Method	Frequency	Registration
Raw materials or materials supplied: <ul style="list-style-type: none"> • Recipe sheets • Incoming inspection raw materials 				
Production process, production equipment, material: <ul style="list-style-type: none"> • procedures • work instructions • equipment • release of product 				
Finished-products				
Measuring and testing equipment <ul style="list-style-type: none"> • measuring equipment • calibration 				
Logistics <ul style="list-style-type: none"> • internal transport • storage • preservation • packaging • identification or marking of semifinished and finished products 				